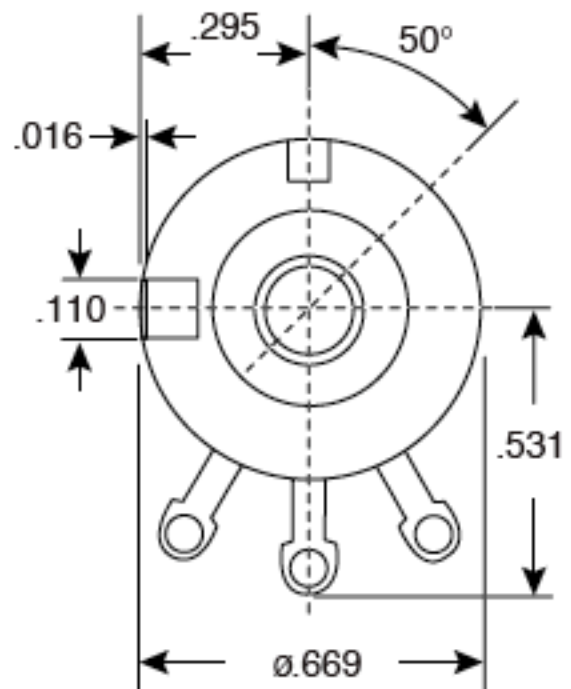
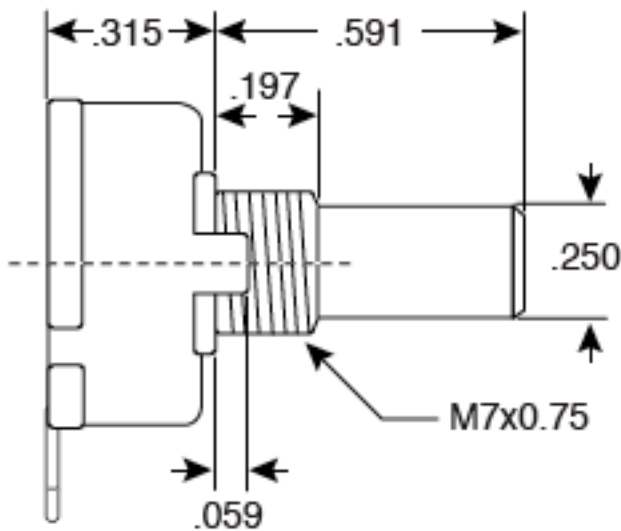
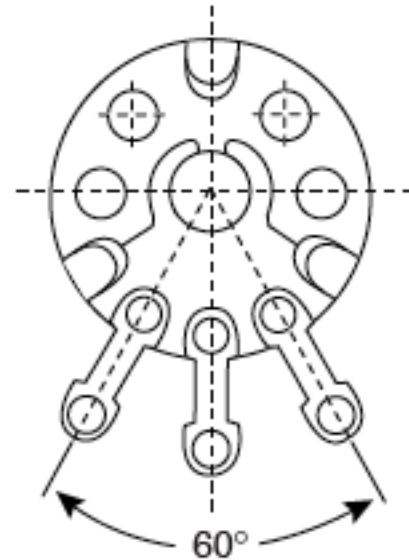


Dimensions (In.)
(except where noted)



Specifications:

- Type: miniature
- Taper: linear
- Total rotation angle: $260^{\circ} \pm 5^{\circ}$
- Rotation torque: 20~200 gf.cm
- Shaft stop strength: $>2\text{Kgf.cm}\backslash\text{min.}$
- Rotational life: 15,000 cycles
- Rated wattage: 0.1W
- Rated voltage: 200V
- Insulation resistance: $>50\text{M}\Omega @ 500\text{VDC}$
- Withstand voltage: 500VAC for 1 minute